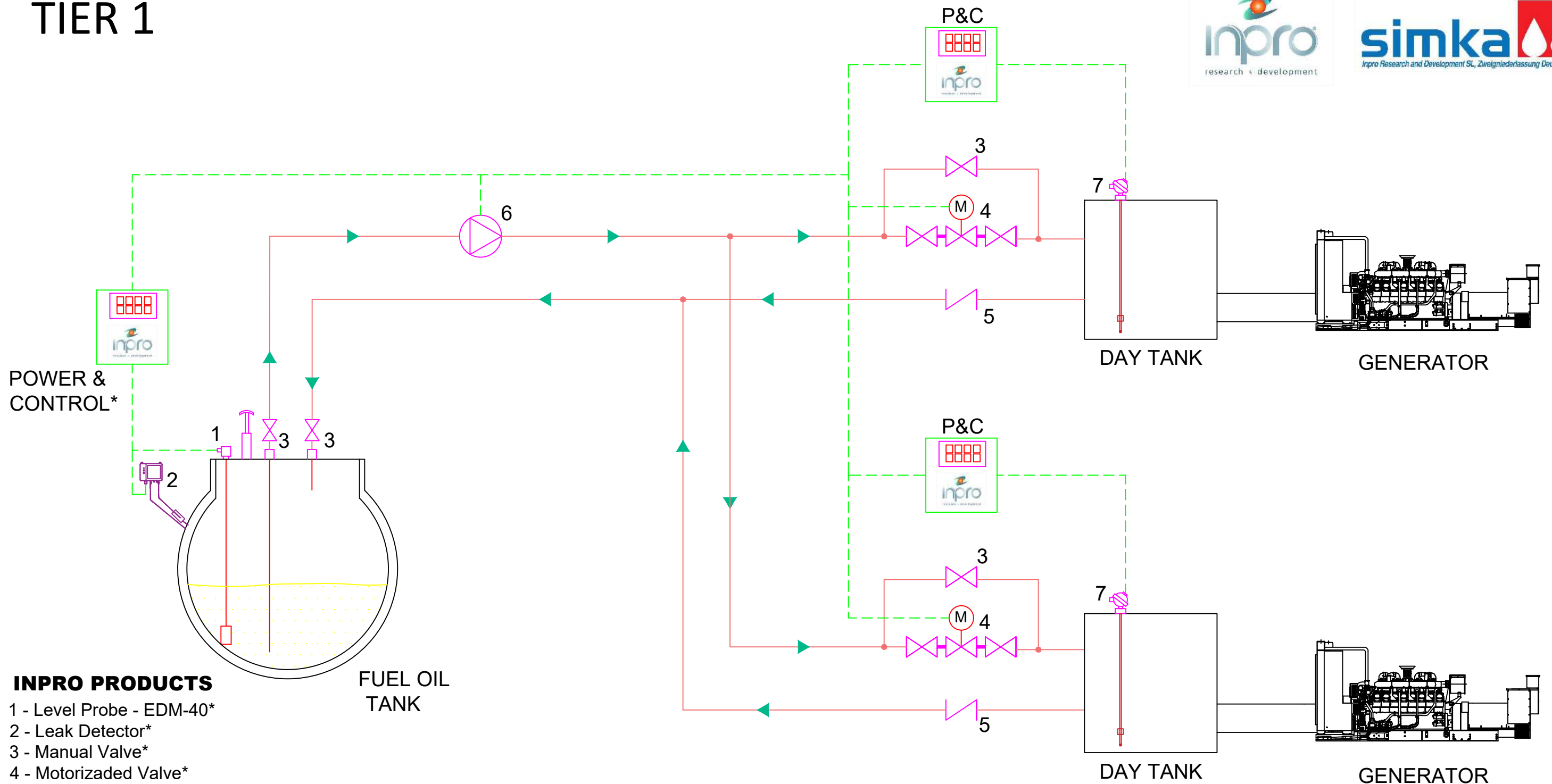


TIER 1



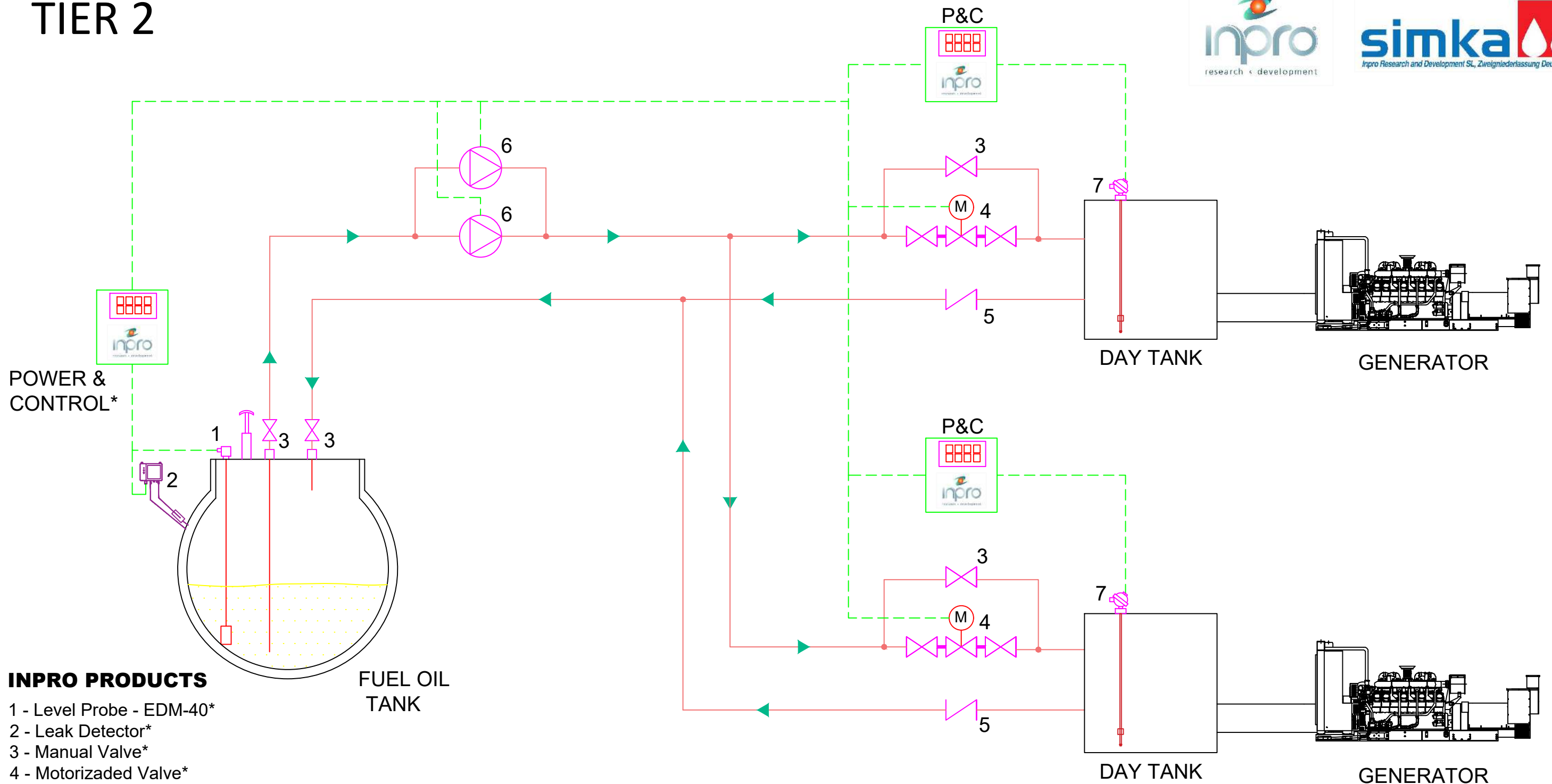
INPRO PRODUCTS

- 1 - Level Probe - EDM-40*
- 2 - Leak Detector*
- 3 - Manual Valve*
- 4 - Motorized Valve*
- 5 - Non-return Valve*
- 6 - Pressure Unit*
- 7 - Level Probe - ECR-50*

— Gasoil Line
 - - - Mod Bus

*Products supplied by Inpro

TIER 2



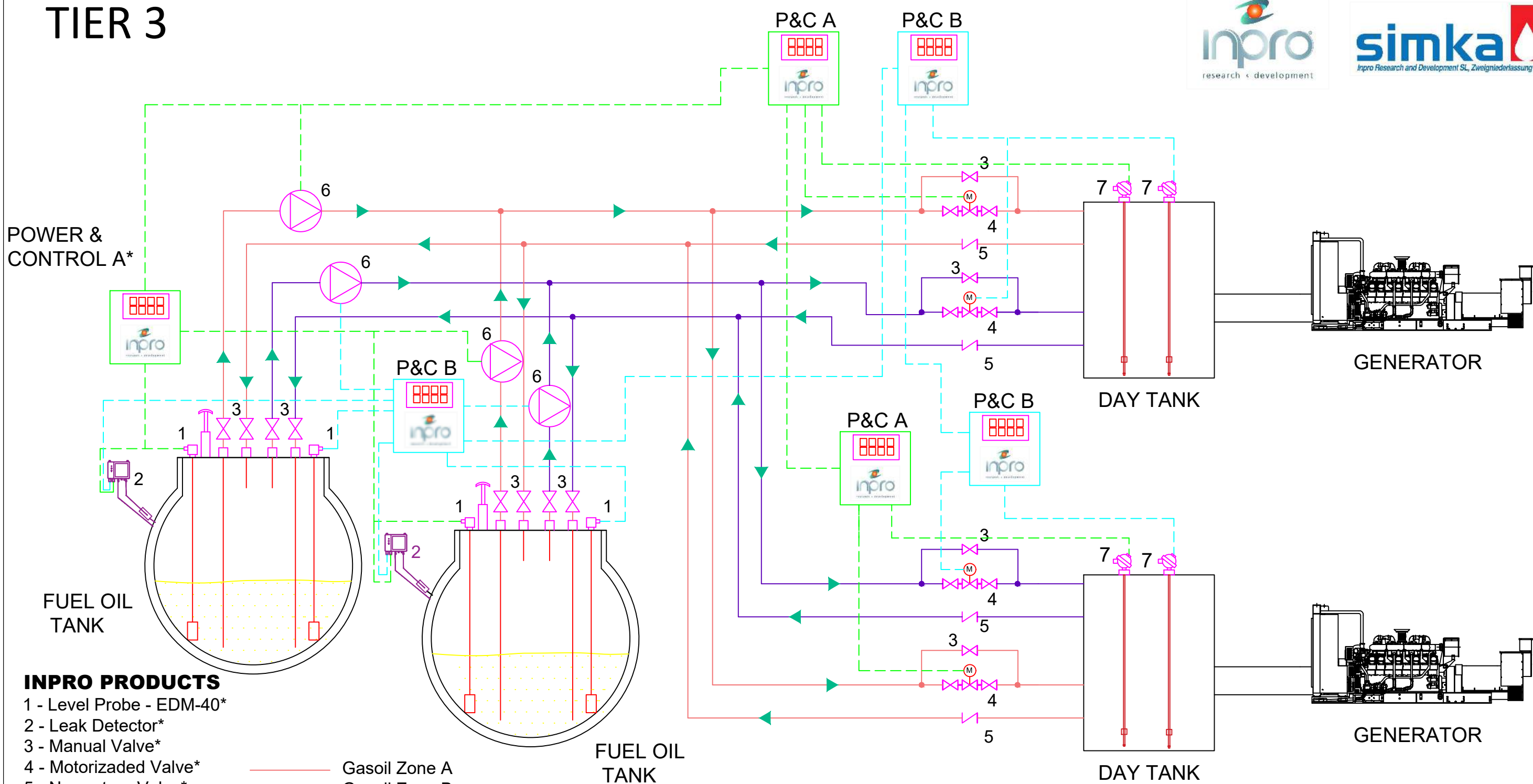
INPRO PRODUCTS

- 1 - Level Probe - EDM-40*
- 2 - Leak Detector*
- 3 - Manual Valve*
- 4 - Motorized Valve*
- 5 - Non-return Valve*
- 6 - Pressure Unit*
- 7 - Level Probe - ECR-50*

— Gasoil Line
 - - - Mod Bus

*Products supplied by Inpro

TIER 3



POWER & CONTROL A*

INPRO PRODUCTS

- 1 - Level Probe - EDM-40*
- 2 - Leak Detector*
- 3 - Manual Valve*
- 4 - Motorized Valve*
- 5 - Non-return Valve*
- 6 - Pressure Unit*
- 7 - Level Probe - ECR-50*

- Gasoil Zone A
- Gasoil Zone B
- - - Mod Bus Zone A
- - - Mod Bus Zone B

*Products supplied by Inpro

GENERATOR

DAY TANK

FUEL OIL TANK

FUEL OIL TANK

DAY TANK

GENERATOR

TIER 4

