

EDM-40 REMOTE LEVEL GAUGE AND CONTROL



- Shows on his display the content of a tank in liters or percentage. Valid for almost any oil, liquid or fluid. Till 125°C.
- It can be completely configured depending on the installation needs.
- The installation is extremely simple, because all settings are adjusted from manufacturing.
- His expansion slots adapts it to each installation needs.
- Standard housing (DIN 43700) 96 x 43 x 100 ready for panel built-in mounting.
- Flexible probe available in, 1", 1 1/2" and 2" thread adapters.

Technical specifications from display and control unit

- Protection rate: IP 67
- Power consumption (display + probe) <30 Va.
- Standard Electric supply: 230/115 Vac
- Optional versions: 48/24 Vcc - 18/48 Vcc
- Temperature range of function: 0° a 50°C
- Electromagnetic compatibility: EN 61000-6-2, EN 61000-6-3
- Security Norms: EN 61010-1
- Material: PC-ABS
- Measures (mm): 96 x 43 x 100 (DIN 43700)
- Certifications: CE, UR, CSA

Technical specifications - Probe

- Aluminium isolating head: 2"
- Isolation rate: IP 65
- Other optional connecting thread: 1", 1 1/4" and 1 1/2"
- Standard probe: flexible (Nylon)
- Max temperature in flexible standard probe: 40°C
- Optional Inox (rigid): stainless steel AISI-316
- Max temperature with stainless steel Probe: 125°C

EDM- 40	ART. NR.
EDM-40 control unit (continuous monitoring)	23050020409000
1 Relay Module	02050000000010
2 Relay Module	02050000000020
4 Relay Module	02050000000040
Analog output module 0-10 V / 4-20 mA	02050000000100
EDM-40 flexible probe till 2,5 m, 2" Thread connection, submerged sensor	23050010402590
DM-40 rigid probe till 2,5 m, 2" Thread connection, submerged sensor	23050010402090
DM-40 ,1/2" Thread connection, submerged sensor	23050010405490
SMS digital transmitter VIA GSM (VERy low LEVEL alarm)	22050000001199

2 displaying possibilities to choose:



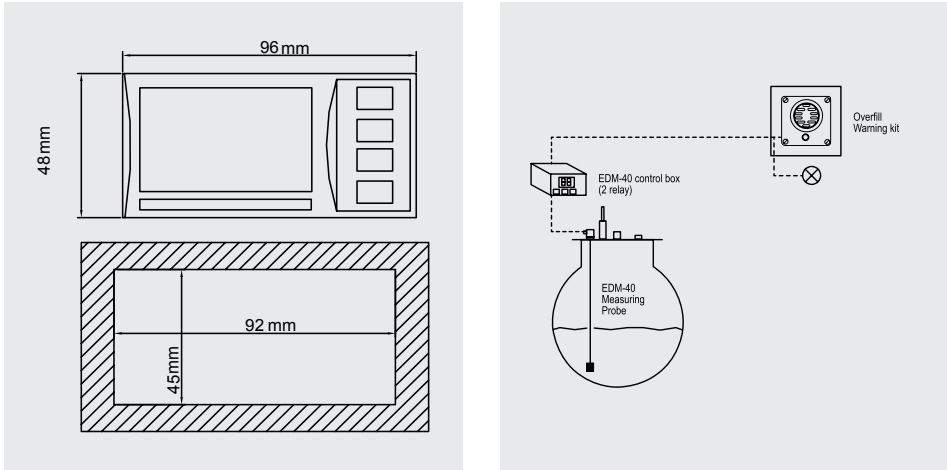
% (1. 2.. 100 %)



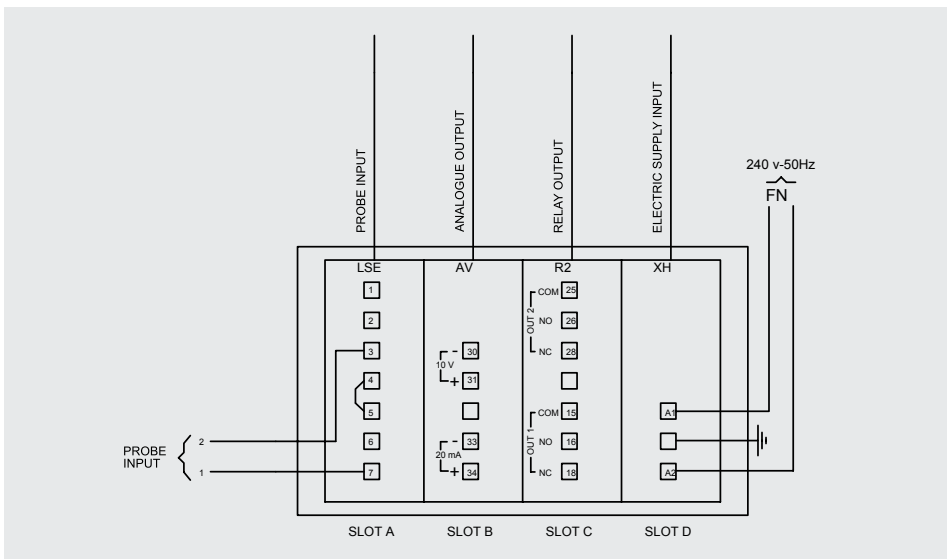
Litres

EDM-40 REMOTE LEVEL GAUGE AND CONTROL

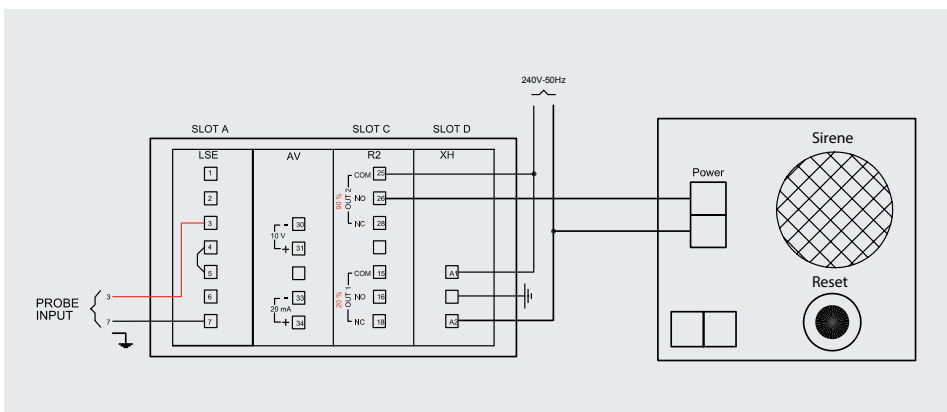
How it is applied Size (mm)



Wiring diagram for analog and relay connections



Wiring diagram for overfill control system kit



This is a product suitable for projects.
See all Inpro project references here



C/Invierno, 4-6 28500
Arganda del Rey. Madrid (Spain)
Telf.: (+34) 918 719 294
info@inprord.com
www.inprord.com



63457 Hanau - Voltastr, 10
Deutschland (Germany)
Telf.: (+49) 06181/9587-0
info@simka.de
www.simka.de