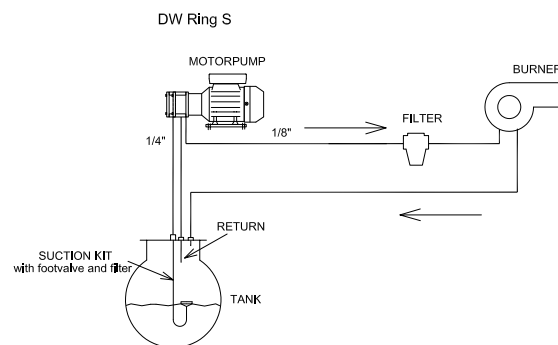
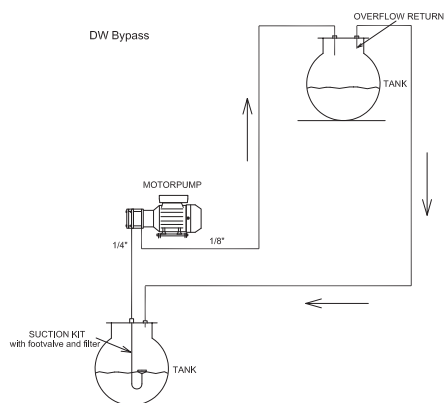


MOTOPOMPES DW et BMF

MODEL	MAX. FLOW AT 2 bar	SUCTION	PRESSURE	RETURN	BYPASS OPEN AT	WEIGHT KG	CODE
DW 60 By-pass	60 l/h	G 1/4"	G 1/8"	-	4 bar	4,65	3300000006020
DW 60 Ring S	60 l/h	G 1/4"	G 1/8"	G 1/4"	-	4,65	3300000006021
DW 120 By-pass	120 l/h	G 1/4"	G 1/8"	-	4 bar	5	33000000011220
DW 120 Ring S	120 l/h	G 1/4"	G 1/8"	G 1/4"	-	5	33000000011221

- Power Supply: 230 Vac Single phase 50 Hz
- Consumption: 150 W

- Size: 310 x 200 x 210 mm
- Max. pressure: 10 bar



		C.V.	5 Bar	CODE			
BMF2	3/8"	0,12	120 l/h	33000001011210			
BMF3	3/8"	0,18	210 l/h	33000000912110			
BMF4	3/8"	0,25	240 l/h	33000000012410			
BMF5	1/2"	0,35	320 l/h	33000000113210	C.V.	10 Bar	CODE
BMF10	3/4"	0,35	600 l/h	33000000116010	0,50	580 l/h	33000000215810
BMF15	3/4"	0,50	900 l/h	33000000219010	0,75	850 l/h	33000000318510
BMF25	3/4"	0,75	1.500 l/h	33000000321510	1	1.400 l/h	33000001421410
BMF35	1"	1	2.100 l/h	33000001422110	1,50	2.000 l/h	33000000043210
BMF50	1"	1,50	3.000 l/h	33000000423010	2	2.900 l/h	33000000522910
BMF60	1 1/4"	2	3.600 l/h	33000000523610	2,50	3.400 l/h	33000001623410

- Bypass valve included.
- Moteur Triphasé 1400 RPM. Pour versions monophasées, consulter.



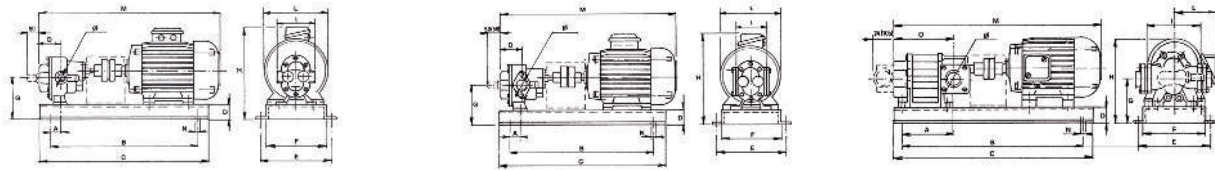
MOTORPUMP GEAR FOR FUEL TRANSFER

- Self-priming, special treated helical gears for the pump to be silent.
- Casting body (shell moulding).
- Great robustness Tri-phase motor.
- Direction of rotation, can be changed either counterclockwise or clockwise with inverter.

- Bench cast iron and suitable for standard motors.
- Fully balanced, robust and silent, not requiring any maintenance.
- Its powerful engine avoid problems with low temperatures fuel startups .

	MOTOR PROT CLASS.	FLOW	POWER SUPPLY	CODE
1/4 CV	IP 55	120 l/h	3 x 400 Vca	33000000014120
1/3 CV	IP 55	250 l/h	3 x 400 Vca	33000000013250
1/2 CV	IP 55	500 l/h	3 x 400 Vca	33000000012500
1 CV	IP 55	1.700 l/h	3 x 400 Vca	33000000011700
2 CV	IP 55	1.700 l/h	3 x 400 Vca	33000000021700
3 CV	IP 55	3.500 l/h	3 x 400 Vca	33000000033500

		C.V.	2,5 Bar	5 Bar	C.V.	10 Bar			C.V.	2,5 Bar	5 Bar	C.V.	10 Bar
B3	1/2"	0,25	246 l/h	228 l/h	0,25	192 l/h	B200	21/2"	5,50	12.900 l/h	12.720 l/h	7,50	12.300 l/h
B5	1/2"	0,25	360 l/h	348 l/h	0,35	312 l/h	B250	21/2"	5,50	15.600 l/h	15.480 l/h	10,00	15.000 l/h
B10	3/4"	0,35	720 l/h	708 l/h	0,50	660 l/h	B300	21/2"	7,50	19.200 l/h	18.840 l/h	10,00	18.120 l/h
B15	3/4"	0,50	1.050 l/h	1.020 l/h	0,75	960 l/h	B350	21/2"	7,50	22.200 l/h	21.900 l/h	15,00	21.000 l/h
B25	3/4"	0,75	1.500 l/h	1.488 l/h	1,00	1.320 l/h	B400	21/2"	10	25.200 l/h	24.900 l/h	15,00	24.300 l/h
B40	1"	1	2.580 l/h	2.556 l/h	1,50	2.400 l/h	B450	3"	10	28.500 l/h	28.000 l/h	15,00	27.300 l/h
B50	1 1/2"	1,50	3.240 l/h	3.120 l/h	2,00	3.000 l/h	B500	3"	15	31.500 l/h	30.900 l/h	20,00	30.300 l/h
B70	1 1/2"	3	4.440 l/h	4.320 l/h	3,00	4.200 l/h	B550	3"	15	33.900 l/h	33.600 l/h	20,00	32.700 l/h
B100	2"	3	7.200 l/h	6.900 l/h	4,00	6.300 l/h	B600	3"	15	37.800 l/h	37.200 l/h	20,00	36.000 l/h
B150	2"	4	10.200 l/h	9.840 l/h	5,50	9.360 l/h							



	PUMP	MOTOR		SIZE														
		GR	HP	A	B	C	D	E	F	G	H	I	L	M	N	O	Ø	Kg.
A	MBM 5	71 C4	0.35	9	300	400	70	240	200	136	257	90	140	398	13	59	1/2"	19
	MBM 10	71 C4	0.35	19	300	400	70	240	200	136	257	90	140	405	13	69	3/4"	19.5
		71 S4	0.5															20
	MBM 15	71 S4	0.5	14	300	400	70	240	200	136	257	92	140	418	13	64	3/4"	20
		80 C4	0.75								157		453	21				
	MBM 25	80 C4	0.75	22	300	400	70	240	200	136	274	92	157	461	13	72	3/4"	21.5
80 S4		1	23															
MBM 40	80 S4	1	35	400	500	70	240	200	146	289	119	157	508	13	85	1"	26	
	90 C4	1.5								292		180	536				28	
MBM 50	90 C4	1.5	39	400	500	70	240	200	161	310	100	180	571	13	89	1 1/2"	36	
	90 S4	2								320		200	611				39	
MBM 70	90 L4	2.5	50	500	600	70	290	250	182	310	100	180	571	13	100	1 1/2"	41	
	100 C4	3								320		200	611				43	
MBM 100	100 C4	3	50	500	600	70	290	250	182	349	136	200	631	13	100	2"	51	
	100 S4	4								349		200	651				54	
MBM 150	100 S4	4	70	500	600	70	290	250	176	349	136	200	651	13	120	2"	57	
	112 S4	5.5								361		224	671				74	
MBM 200	112 S4	5.5	127	550	650	70	340	300	176	357	212	224	709	13	177	2 1/2"	75	
	132 S4	7.5		700	800		400	360		382		189	761				84	
MBM 250	112 S4	5.5	139	550	650	70	340	300	176	357	212	224	721	13	189	2 1/2"	76	
	132 A4	10		700	800		400	360		382		189	811				80	
MBM 300	132 S4	7.5	151	700	800	70	400	360	176	382	212	189	785	13	201	2 1/2"	92	
	132 A4	10								823		823	100					
MBM 350	132 S4	7.5	163	700	800	70	400	360	176	382	212	189	797	13	213	2 1/2"	93	
	160 C4	15								197		434	336				947	130
MBM 400	132 A4	10	177	700	800	70	400	360	176	382	212	189	849	13	227	2 1/2"	107	
	160 C4	15		900	1.000		197	434		336		961	138					
MBM 450	132 A4	10	174	900	1.000	70	400	360	212	433	263	189	849	13	224	3"	132	
	160 C4	15								464		336	961				160	
MBM 500	160 C4	15	183	900	1.000	70	400	360	212	464	263	336	970	13	233	3"	167	
	160 S4	20								1.014		979	13				242	200
MBM 550	160 C4	15	192	900	1.000	70	400	360	212	464	263	336	979	13	242	3"	173	
	160 S4	20								1.023		988	13				251	204
MBM 600	160 C4	15	201	900	1.000	70	400	360	212	464	263	336	988	13	251	3"	178	
	160 S4	20								1.032		1.032	13				251	208



Investigación y Producción S.L.
 Zweigniederlassung Deutschland
 63457 Hanau - Voltastraße, 10
 Deutschland / Germany
 Tel.: (+49) 06181/9587-0
 Fax: (+49) 06181/958723
 info@simka.de - www.simka.de



C/Invierno, 4-6
 Pol. Ind. "El Malvar"
 28500 Arganda del Rey
 Madrid
 Telf.: (+34) 918 719 294
 Fax: (+34) 918 719 256
 info@inprosa.net - www.inprosa.net