

GSM MINI INPRO

USER MANUAL

The device allows a remote control and monitoring of solar installations through GSM net (mobile).

Inputs:

- 1 Alarm contact input (AL).

Outputs (also called channels):

- 1 relay 16(7)A



The control and monitoring is done through SMS (Short Message Service) messages.

Manual ON/OFF of the channels by two keys (MENU and SELECT).

Led's indicate relays state and alarms (SEE NOTES).

CONTROL COMMANDS THROUGH SMS MESSAGES

The SMS message that must be sent is quoted (don't include quotation marks). The 4 zeros correspond to the device password (0000 is default value).

1.- MESSAGE HELP: "0000 H"

Device returns an SMS message with all the commands available.

2.- MESSAGE TEST (INPUT AND OUTPUT STATE): "0000 T"

Device returns an SMS message with current inputs and outputs state.

Ex: C OFF
AL Y OFF
S1 NA

- Channel is disable (C)
- Alarm contact input present (indication Y(yes)) and alarm notification disabled (indication OFF).

When the probe isn't connected it shows NA, and if the associated probe alarm is enabled then is shows ERROR.

3.- MESSAGE ON/OFF CHANNELS: "0000 C Z"

Ex: Sending 0000 C ON - Channel connected
Sending 0000 C OFF - Channel disconnected

Device returns the same SMS message as T test command, with current inputs and outputs state. With an * at the end of the message, device returns no message.

4.- MESSAGE ENABLE/DISABLE CONTACT INPUT ALARM: "0000 AL Z"

Z sets enable or disable (value ON or OFF)

Ex: Sending 0000 AL ON ---> Contact input alarm enabled.
If alarm is present, device sends the message "AL Y ALARM"
When alarm dissappears, the device sends the message "AL N ALARM"

Device returns the same SMS message as T test command, with current inputs and outputs state. When disabled, it returns the same message as L list command.

With an * at the end of the message, device returns no message.

5.- MESSAGE PASSWORD CHANGE: "0000 P 1234"



0000 is the old password and 1234 is the new password.
 Device returns a message that shows new password "1234".
 With an * at the end of the message, device returns no message.

The password factory default value is 0000.

6.- MESSAGE LIST OF TELEPHONES WHERE THE ALARM MESSAGES ARE SENT: "0000 L"

Ex: A: Contact input alarm only has one telephone associated
 0034679461339

NOTES:

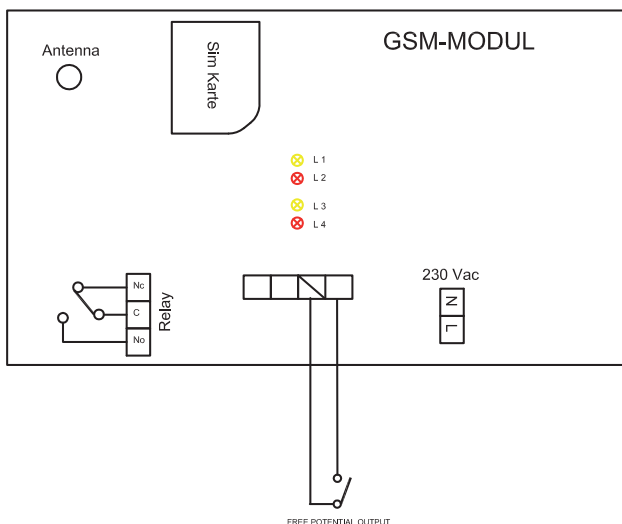
- To manually set ON/OFF relays, press  1
- When the device receives a message from a not recognized telephone (a telephone is recognized when it has sent a valid command previously), and begins with a no numerical character, it understands that this message is informative from a phone company and it is resent it to the first telephone defined in one of the alarms, following nest order: AL, S1, B.
- All the alarms must be associated with a maximum of 2 telephones. If we try to enable an alarm from a third telephone, device sends the message "ERROR, MEMORY FULL".
- To disable all the alarms and erase all the associated telephones, press  1 key during 40 sec.
- Every alarm has a delay of 5 seconds when enabling/disabling to avoid false alarms.
- The SMS message service is not a real time system, it depends totally on phone companies, so it is recommended, to achieve a greater efficiency, that SIM and destiny mobile are of the same phone company.

INSTALLATION MANUAL

ATTENTION: before connecting the device, make sure you have turned off the general electricity supply.
 The installer has the responsibility to provide the proper electrical protection devices.
 The probe wire mustn't be installed near other electrical wires and must be a maximum length of 3 metres.

VERY IMPORTANT: BEFORE INSERTING SIM CARD IN THE DEVICE, DISABLE SIM CARD PIN.

It is recommended to use long antenna for better performance.



GSM indicator	
L1 flashing yellow LED	→ SIM card hasn't PIN disabled
L2 red LED lights Flashing Red LED	→ Alarm present : Contact input closed (Probe) → SIM card not present or bad inserted
L3 flashing yellow LED yellow LED lights	→ shows: Device searching for GSM net → displays: the SMS is sent
L4 red LED lights	→ 230 Vca
L1 Y L2 flashing yellow LED Flashing Red LED	→ Fail sending an SMS message

SYSTEM DESCRIPTION

In case of failure of the unit is a message "AL Y ALARM" sent to the selected mobile phones