

MODEL F: EXPLOSIVE GAS ALARM AND MEASUREMENT UNIT



The F unit manages the explosive gas detectors that are connected to it in a simple and effective way.

Its reliability and sturdiness allow it to be placed in anyone's hands. Its digital display notifies you of the concentration of measured gas at all times.

It has 4 relays to which various types of servo mechanisms can be linked.

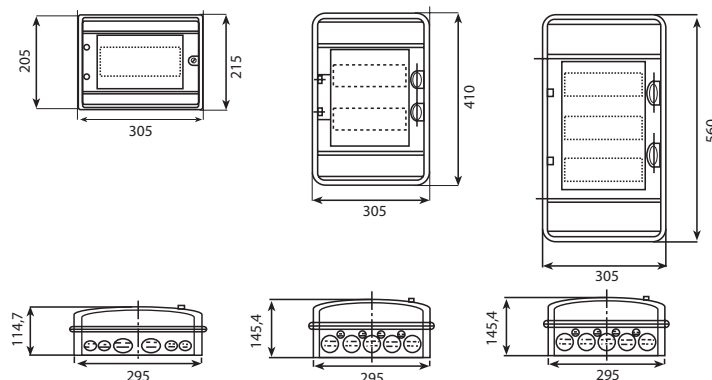
By connecting it to one or more Dalemans detectors, you will benefit from an installation that offers the best value for money.



CHARACTERISTICS

MODEL	F3 / F6 / F9	MODEL	F3 / F6 / F9
Type of inputs	Wheatstone bridge (millivolts)	Installation category	II
Number of detectors	F3: 1 to 3 / F6: 1 to 6 / F9: 1 to 9	Operating temperature	From -10°C to 40°C
L.E.L. reading	Digital display: from 0 to 99%	Connections terminal blocks	Screw, max. 2,5 mm ² cross sectional area
Alarms	3 levels of alarm with adjustable timedelay by internal keyboard	Ingress protection	IP55, with viewing window
Fault reporting	Self-regulating detection loop and battery	Power supply	230 V ±10%, 50 Hz
		Battery charge current	100 mA
General remote controls	Alarm 1: SPDT contact rated 3 A, 230 V Alarm 2: SPDT contact rated 3 A, 230 V Alarm 3: SPDT contact rated 3 A, 230 V Fault: SPDT contact rated 3 A, 230 V	Power consumption	F3: 23 W F6: 46 W F9: 69 W
Acoustic signal	1. Interne sounder 2. For external siren I _{max} : 100 mA 20 V if main power supply 12 V if battery power supply	Dimensions (H x L x P)	F3: 215 x 305 x 115 F6: 410 x 305 x 146 F9: 560 x 305 x 146
Adjustable settings	- Value of the levels of alarm - Time-delay for activating each level of alarm: max. 9 s - "Fail safe" or "Normally de-energized" relays operating mode	Weight	F3: 2,5 kg F6: 5 kg F9: 7,3 kg
Adjustable functions	- Manual or automatic reset for each level of alarm - Enable or disable acoustic signaling for each level of alarm	Certifications	EN 50081-1 EN 50082-1 EN 61010-1

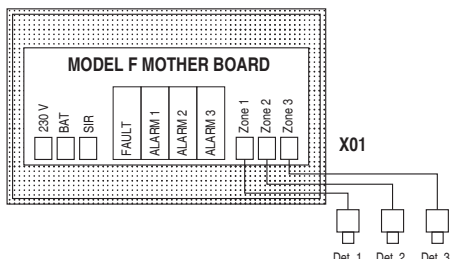
DIMENSIONS (mm)



TIPS FOR WIRING "F"

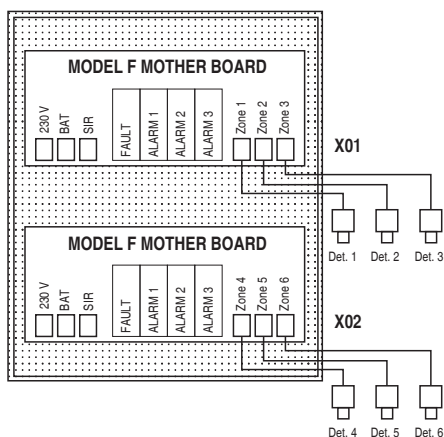
VERSION F3

- 1 Model F mother board
- Connecting from 1 to 3 detectors



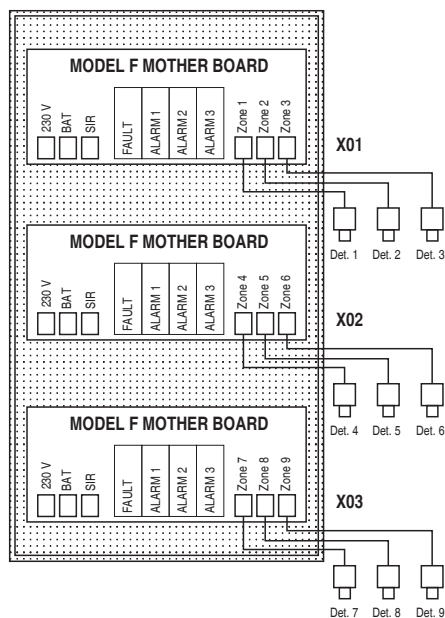
VERSION F6

- 2 independent Model F mother boards
- Connecting from 1 to 6 detectors



VERSION F9

- 3 independent Model F mother boards
- Connecting from 1 to 9 detectors



IMPORTANT

There are no links between the different mother boards of a same control unit.

In case of alarm on detector 1, 2 or 3:
Only the contacts of X01 terminal block will be actuated.

In case of alarm on detector 4, 5 or 6:
Only the contacts of X02 terminal block will be actuated.

In case of alarm on detector 7, 8 or 9:
Only the contacts of X03 terminal block will be actuated..

Therefore, please make the connections, if needed, between the alarm and fault contacts of the different terminal blocks (serial or parallel depending on the application)!

EJEMPLO DE ESQUEMA DE CONEXIÓN PARA LAS CENTRALES MODELO "F"

