

OIL SUCTION TRANSFER UNITS

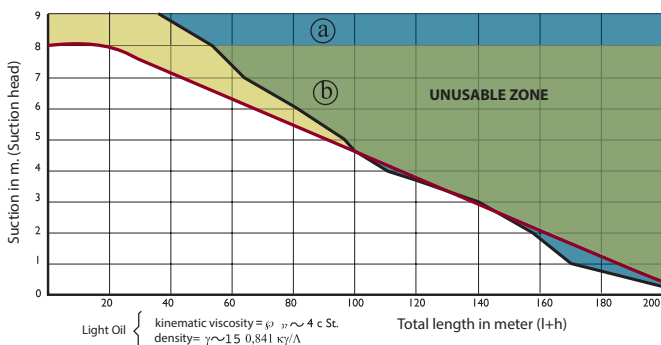
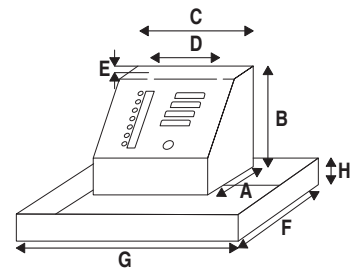
GPS GE - 2 PUMPS / TWIN SYSTEM

MODEL		GPS-35 GE	GPS-70 GE	GPS-130 GE	GPS-200 GE	GPS-350 GE	GPS-950 GE	GPS-1500 GE
FLOW	l/h	30	70	130	200	350	950	1.500
POWER SUPPLY (50 Hz)	VOLTS	230/400 mono phase	230/400 tri-phase (*)	230/400 tri-phase (*)	230/400 tri-phase (*)	230/400 tri-phase (*)	230/400 tri-phase	230/400 tri-phase
RECOMMENDED SUCTION PIPE	MM Ø (OD)	12	15	15	18	22	25	32
MOTOR POWER	C.V.	1/6	1/4	1/3	1/3	1/3	3/4	1½
	KW	0,12	0,18	0,25	0,25	0,25	0,55	0,75
SUCTION	BSP THREAD	G 3/8" F	G ½" F	G ½" F	G ¾" F	G ¾" F	G 1" F	G 1 ¼" F
RETURN PIPE BURNER	BSP THREAD	G 3/8" F	G ½" F	G ½" F	G ½" F	G ¾" F	G ¾" F	G ¾" F
TANK CAPACITY	lts.	24	68	68	68	238	238	245
MOTOR PROTECTION	IP	20	55	55	55	55	55	55



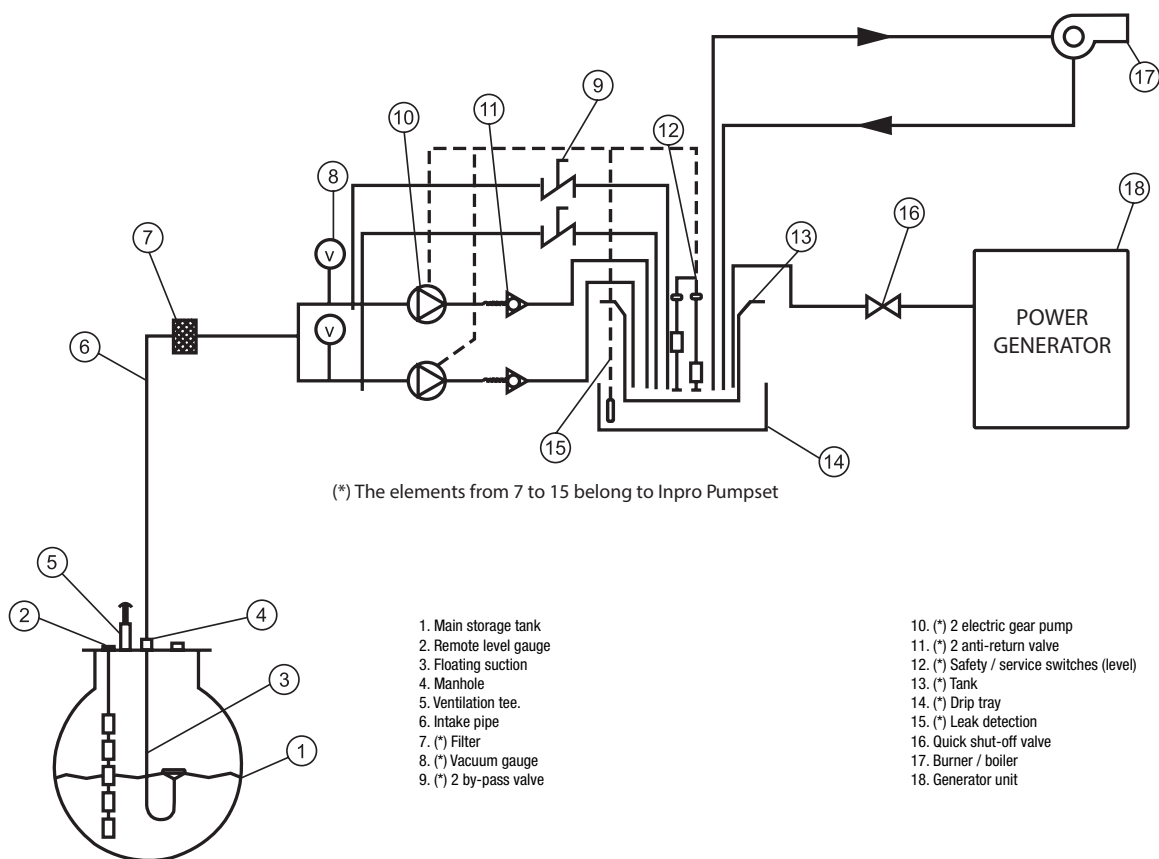
- (*) There is a 230 single-phase version (W). Other voltages under request

MODEL	GPS-35 GE	GPS-70 GE	GPS-130 GE	GPS-200 GE	GPS-350 GE	GPS-950 GE	GPS-1500 GE
A	263	370	370	370	600	600	600
B	370	640	640	640	1.030	1.030	1.030
C	680	760	760	760	960	960	960
D	540	—	—	—	—	—	—
E	20	—	—	—	—	—	—
F	400	430	430	430	1.090	1.090	1.090
G	800	870	870	870	1.100	1.100	1.100
H	80	185	185	185	200	200	200
Approx. Weight (kg)	18	48	50	50	97	97	97



Suction curves and total length

- (a) GPS-35 N / GPS-35 GEW / GPS-70 N / 70 GE / GPS-35 DRUCK
- (b) GPS-130 N / 130 GE / GPS-350 N / 350 GET



Technical Characteristics

- Voltage free general alarm outlet.
- Output to attach anti-siphon solenoid valve.
- Oil leak collector tray with infrared detector.
- Safety thermostat (40°C) for temperature gasification.
- Suction pipe couplings for two burners and one for returns.

Accessories and adaptations

- 8 free relay outputs outlets to control incidents from centralised post / BMS (2-Thermal, 2-Motors ON, Low Level, High Level, Temperature above 40°C, and Leak detection ON).
- GSM alarm system by means of SMS messages, or connection to modem.
- Adaptation of Suction Groups with greater tank capacity for installations designed for Power Generators, replacing the daily tank.
- Modifications for extreme environments or subject to regulations (Tropicalisation, ATEX, etc.)
- Solenoid valves for siphon installations.
- Additional suction intakes for more burners.

Art. Nr.

21000000000---
 28000000000000
 2303000001----
 21000000001800



Investigación y Producción S.L.
 Zweigniederlassung Deutschland
 63457 Hanau - Voltastraße, 10
 Deutschland / Germany
 Tel.: (+49) 06181/9587-0
 Fax: (+49) 06181/958723
 info@simka.de - www.simka.de



C/Invierno, 4-6
 Pol. Ind. "El Malvar"
 28500 Arganda del Rey
 Madrid
 Telf.: (+34) 918 719 294
 Fax: (+34) 918 719 256
 info@inprosa.net - www.inprosa.net